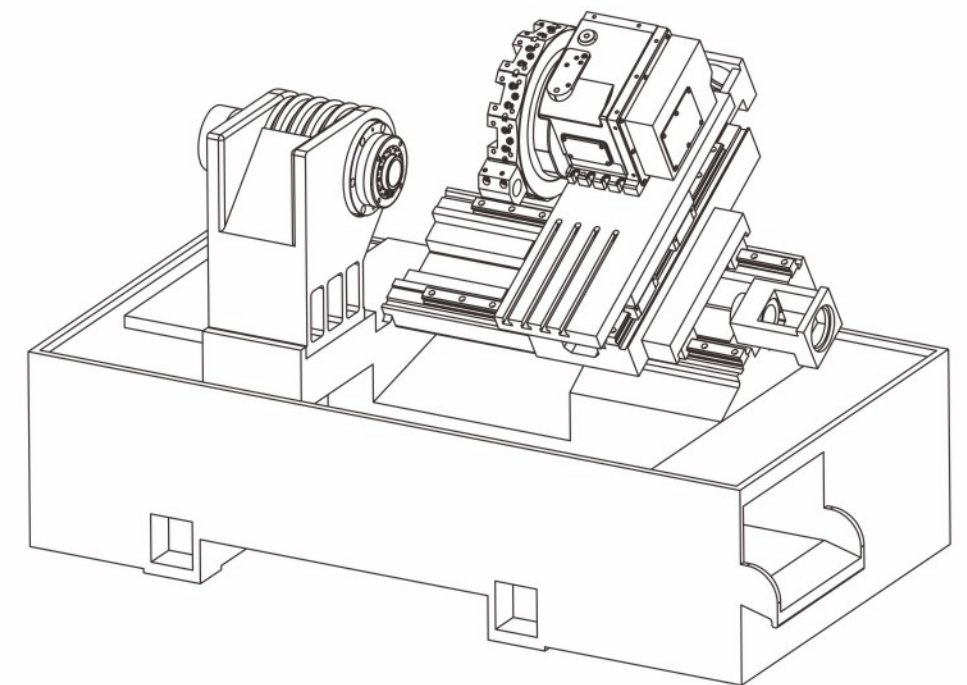


**WEINUO**

研發 · 生產 · 銷售  
R&D, Production, Sales

## 數控車床光機 CNC Lathe Light Machine



**WEINUO**

**江西唯諾機械有限公司**  
Jiangxi Verov Machinery Co., Ltd.

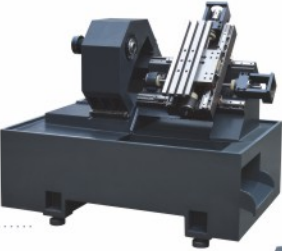




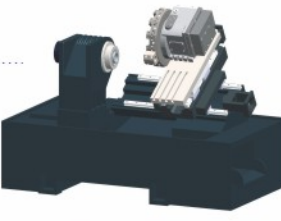
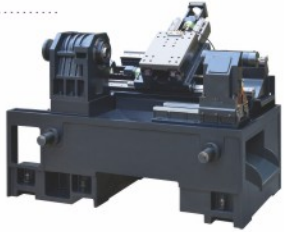
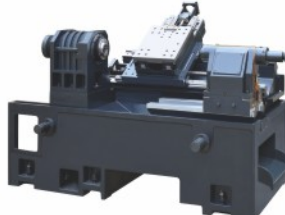
江西省吉安市峽江縣城南工業園  
Add: Chengnan Industrial Park, Xiajiang County,  
Ji'an City, Jiangxi Province, China.  
Tel: 0796-7187180 7187181  
E-mail: wnjx168168@163.com



**江西唯諾機械有限公司**  
Jiangxi Verov Machinery Co., Ltd.

## 目錄索引

CONTENTS  
INDEX

公司簡介 Company Profile	01	
生產車間 Production center	03	
CK6125 45° 整體斜床身排刀車床光機 45° Overall slant bed body cutter lathe light machine	07	
CK6136 45° 整體斜床身排刀車床光機 45° Overall slant bed body cutter lathe light machine	09	
CK6146 45° 整體斜床身排刀車床光機 45° Overall slant bed body cutter lathe light machine	11	
CK6152 45° 整體斜床身排刀車床光機 45° Overall slant bed body cutter lathe light machine	13	
CK6146Y 30° 整體斜床身車銑復合光機 30° Overall inclined bed body milling and milling machine	15	
CK6146B 30° 整體斜床身刀塔排刀車床光機 30° Overall slant bed turret row lathe tempering machine	17	
CK6146A 30° 整體斜床身刀塔尾座車床光機 30° Overall slant bed turret tail tail lathe optomechanical machine	19	
CK6152A 30° 整體斜床身刀塔尾座車床光機 30° Overall slant bed turret tail tail lathe optomechanical machine	21	
配件系列 Accessories Series	23	
銷售網絡 Sales network	24	



## 公司簡介

# COMPANY PROFILE

江西唯諾機械有限公司，是一家“創新為先、質量為本”的中臺合資科技型企業。

公司專業生產數控車床光機，并集研發、生產制造、市場行銷于一體。以自身文化經營理念為指導，多年技術積累發展為依托，引進現代化管理理念，不斷提升光機制造工藝和專業服務水平。秉承“同等質量、同等價格、高端品質，優質服務”的企業精神，為客戶打造“高效、精密”的優質產品。

唯諾公司通過實施國際化的發展戰略，現已被國內外知名企業廣泛采用，并深受好評。唯諾機械一如既往致力於數控機床行業創新發展，以工匠精神的專注，用心制造的態度，實現新的跨越，熱忱歡迎社會各界人士蒞臨我公司參觀指導！



Jiangxi Verov Machinery Co., Ltd. is a Sino-Taiwan joint venture technology enterprise with "innovation first, quality first".

The company specializes in the production of CNC lathe optomechanics, integrating research and development, manufacturing and marketing. Guided by its own cultural management concept, relying on years of technical accumulation and development, it introduces modern management concepts and continuously improves the manufacturing process and professional service level of optical machines. Adhering to the enterprise spirit of "equal quality, same price, high-end quality, and high-quality service", we will create high-quality products with high efficiency and precision for our customers.

Through the implementation of an international development strategy, Verov has been widely adopted by well-known companies at home and abroad and has been well received. As always, Verov Machinery is committed to the innovation and development of the CNC machine tool industry. With the focus of craftsmanship and the attitude of creating a new leap, we warmly welcome people from all walks of life to visit our company!





生產中心

PRODUCTION  
CENTER

每一道工序我們都力求細致，每一個細節都力求完美。把生產管理系統、檢測試驗系統、質量控制系統等融合于所有產品生產過程中，廣泛應用先進的技術、生產和檢驗設備，真正做到高品質、高標準服務于國內外客戶！

We strive to be meticulous in every process and perfect in every detail. Integrate the production management system, testing system and quality control system into the production process of all products, widely apply advanced technology, production and inspection equipment, and truly achieve high quality and high standard service to customers at home and abroad.





# 生產中心 PRODUCTION CENTER



我們不斷引進國外先進生產技術并吸收消化，融合到自身的產品技術當中，實現自主創新能力，提高產品競爭力，保持市場領先的地位。

We continue to introduce foreign advanced production technology and assimilate, integration into their own products technology which achieve the ability of independent innovation, improve product competitiveness efforts to maintain market leadership.



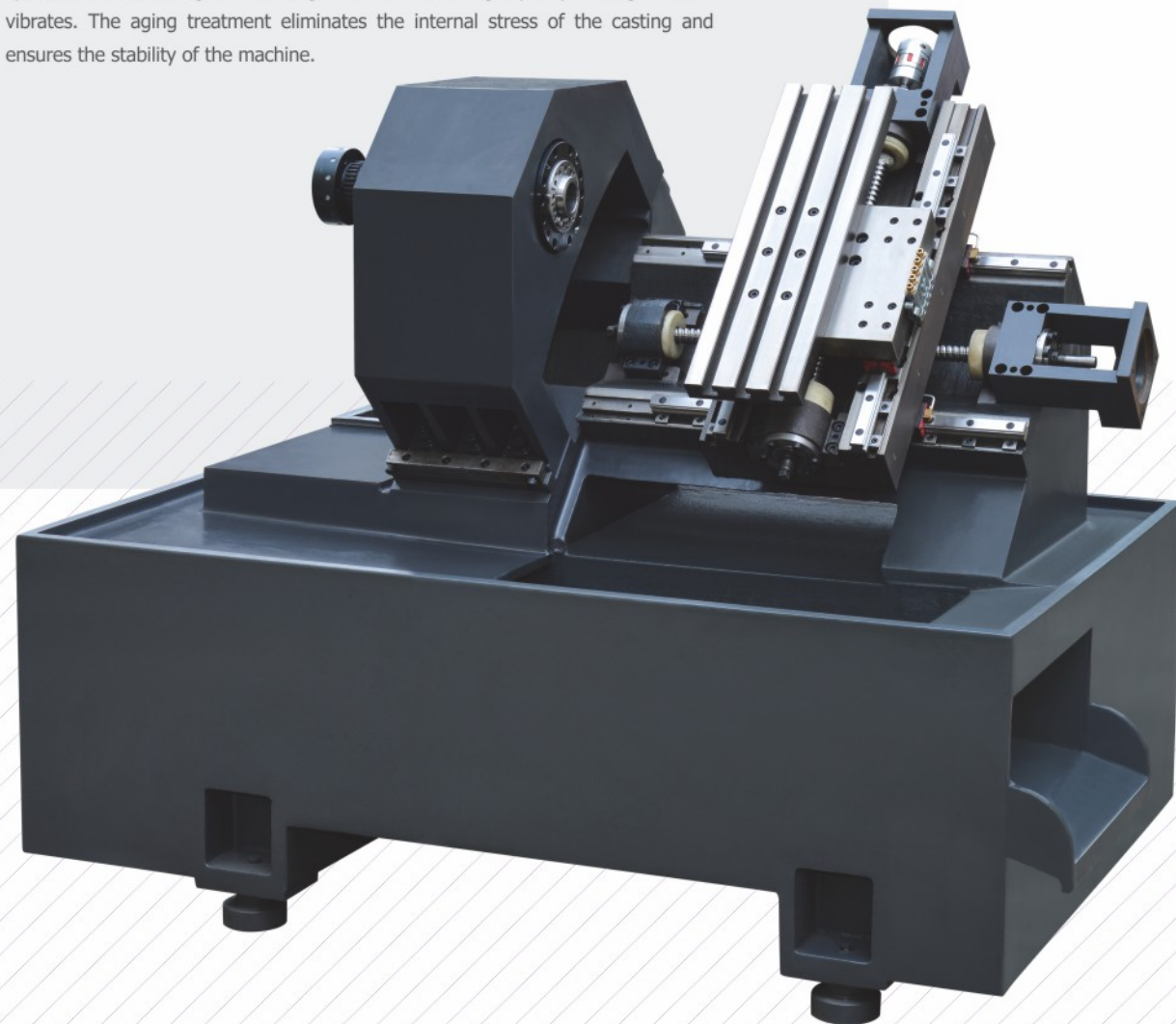


# CK6125

## 45° 整體斜床身排刀車床光機 45° overall slant bed body cutter lathe light machine

鑄件均采用公司優質的樹脂砂造型的特高强度鑄鐵，剛性好，穩定性強。底座床身一體式鑄造加寬加長底座，45°斜床身結構，具有較高的穩定性和吸震性能，采用對稱性設計，導軌加大跨距，合理的導軌長度比例，優質鑄件材質經振動時效處理消除鑄件內應力，保證機器穩定性。

The castings are made of high-quality cast iron with high quality resin sand, which has good rigidity and strong stability. The base bed is integrally cast and widened and extended. The 45° inclined bed structure has high stability and shock absorption performance. It adopts symmetrical design, the guide rail increases the span, the reasonable guide rail length ratio, and the high quality casting material vibrates. The aging treatment eliminates the internal stress of the casting and ensures the stability of the machine.



### 可選配件 OPTIONAL ACCESSORIES

- > 套筒式主軸單元(普森、健椿、羅亞、金鴻、昊志，軸承均選用NSK、FAG)
- > 絲杆 (HIWIN /PMI/NSK)
- > 導軌 (HIWIN /PMI/NSK/ABBA/INA/THK/REXROTH/凱特)
- > 絲杆軸承 (FAG /NSK/NTN/THT/ HIWIN)
- > Sleeve type spindle unit (Pusen, Jianwei, Luoqing, Jinhong, Qizhi, bearings are NSK, FAG)
- > Screw (HIWIN / PMI / NSK)
- > Guide rail (HIWIN / PMI / NSK / ABBA / INA / THK / REXROTH / Kate)
- > Screw bearing (FAG /NSK/NTN/THT/ HIWIN)

### 技術參數 PARAMETERS

項目 Project	機型 Model	CK6125
<b>主要參數 Main parameters</b>		
床面最大上回轉直徑	Maximum upper diameter of the bed	Φ460
最大加工直徑	Maximum processing diameter	Φ460
刀架上最大加工直徑	Maximum machining diameter on the tool holder	Φ100
最大加工長度	Maximum processing length	230
<b>主軸及卡盤參數 Spindle and chuck parameters</b>		
主軸頭形式 (可選卡盤)	Spindle head form (optional chuck)	A2-4 (5" )
推薦主軸電機功率	Recommended spindle motor power	≥4KW
主軸最高轉速	Maximum spindle speed	8000rpm
主軸孔直徑	Spindle hole diameter	Φ36
棒料通徑	Bar material path	Φ25
<b>進給部分參數 Feed parameter</b>		
X/Z軸絲杆規格	X/Z axis screw specifications	2510/2510
X軸極限行程	X-axis limit stroke	350
推薦X軸電機扭矩	Recommended X-axis motor torque	≥6N.M
X/Z軸綫軌規格	X/Z axis rail specification	25/25
Z軸極限行程	Z-axis limit stroke	250
推薦Z軸電機扭矩	Recommended Z-axis motor torque	≥6N.M
X、Z軸連接方式	X, Z axis connection	直聯
<b>外形 Dimensions</b>		
床身形式及斜度	Bed form and slope	整體式/45°
外形尺寸 (長×寬×高)	Dimensions (L × W × H)	1620 × 1000 × 1350 mm
<b>重量 Weight</b>		
重量(約重)	Weight (about weight)	1450kg

\* 因改良等原因，規格及外觀有所變更時，不另行通知，敬請諒解。  
Due to improvements and other reasons, specifications and appearance when subject to change without notice, please understand.

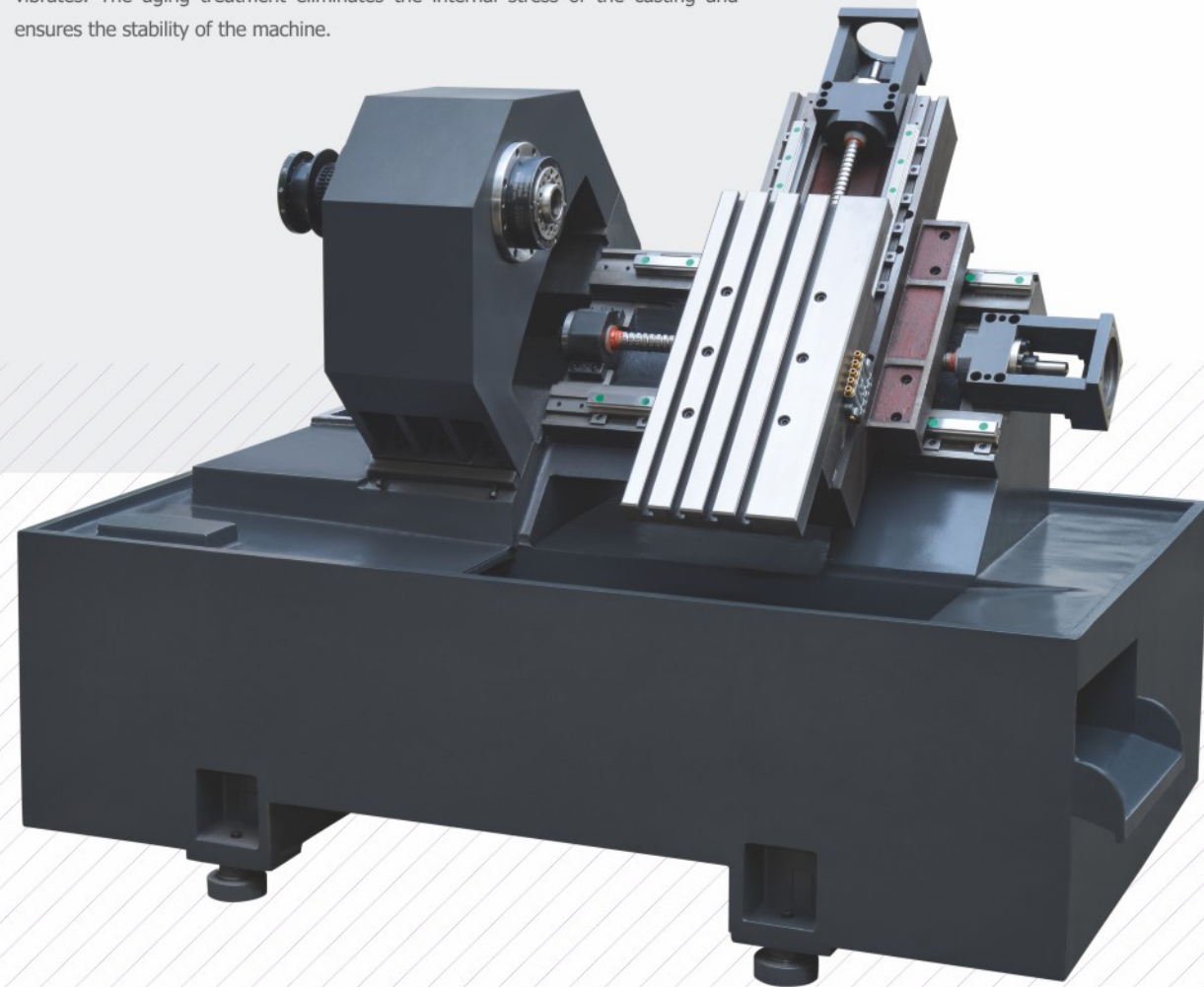


# CK6136

## 45° 整體斜床身排刀車床光機 45° overall slant bed body cutter lathe light machine

鑄件均采用公司優質的樹脂砂造型的特高强度鑄鐵，剛性好，穩定性強。底座床身一體式鑄造加寬加長底座，45°斜床身結構，具有較高的穩定性和吸震性能，采用對稱性設計，導軌加大跨距，合理的導軌長度比例，優質鑄件材質經振動時效處理消除鑄件內應力，保證機器穩定性。

The castings are made of high-quality cast iron with high quality resin sand, which has good rigidity and strong stability. The base bed is integrally cast and widened and extended. The 45° inclined bed structure has high stability and shock absorption performance. It adopts symmetrical design, the guide rail increases the span, the reasonable guide rail length ratio, and the high quality casting material vibrates. The aging treatment eliminates the internal stress of the casting and ensures the stability of the machine.



### 可選配件 OPTIONAL ACCESSORIES

- > 套筒式主軸單元(普森、健椿、羅亞、金鴻、昊志，軸承均選用NSK、FAG)
- > 絲杆 (HIWIN /PMI/NSK)
- > 導軌 (HIWIN /PMI/NSK/ABBA/INA/THK/REXROTH/凱特)
- > 絲杆軸承 (FAG /NSK/NTN/THT/ HIWIN)
- > Sleeve type spindle unit (Pusen, Jianwei, Luoqing, Jinhong, Qizhi, bearings are NSK, FAG)
- > Screw (HIWIN / PMI / NSK)
- > Guide rail (HIWIN / PMI / NSK / ABBA / INA / THK / REXROTH / Kate)
- > Screw bearing (FAG /NSK/NTN/THT/ HIWIN)

### 技術參數 PARAMETERS

項目 Project	機型 Model	CK6136
<b>主要參數 Main parameters</b>		
床面最大上回轉直徑	Maximum upper diameter of the bed	Φ460
最大加工直徑	Maximum processing diameter	Φ460
刀架上最大加工直徑	Maximum machining diameter on the tool holder	Φ100
最大加工長度	Maximum processing length	230
<b>主軸及卡盤參數 Spindle and chuck parameters</b>		
主軸頭形式 (可選卡盤)	Spindle head form (optional chuck)	A2-4 (5" )
推薦主軸電機功率	Recommended spindle motor power	≥4KW
主軸最高轉速	Maximum spindle speed	6000rpm
主軸孔直徑	Spindle hole diameter	Φ45
棒料通徑	Bar material path	Φ35
<b>進給部分參數 Feed parameter</b>		
X/Z軸絲杆規格	X/Z axis screw specifications	2510/3212
X軸極限行程	X-axis limit stroke	400
推薦X軸電機扭矩	Recommended X-axis motor torque	≥6N.M
X/Z軸綫軌規格	X/Z axis rail specification	25/30
Z軸極限行程	Z-axis limit stroke	250
推薦Z軸電機扭矩	Recommended Z-axis motor torque	≥7.5N.M
X、Z軸連接方式	X, Z axis connection	直聯
<b>外形 Dimensions</b>		
床身形式及斜度	Bed form and slope	整體式/45°
外形尺寸 (長×寬×高)	Dimensions (L × W × H)	1800 × 1000 × 1400 mm
<b>重量 Weight</b>		
重量(約重)	Weight (about weight)	1600kg

\* 因改良等原因，規格及外觀有所變更時，不另行通知，敬請諒解。  
Due to improvements and other reasons, specifications and appearance when subject to change without notice, please understand.

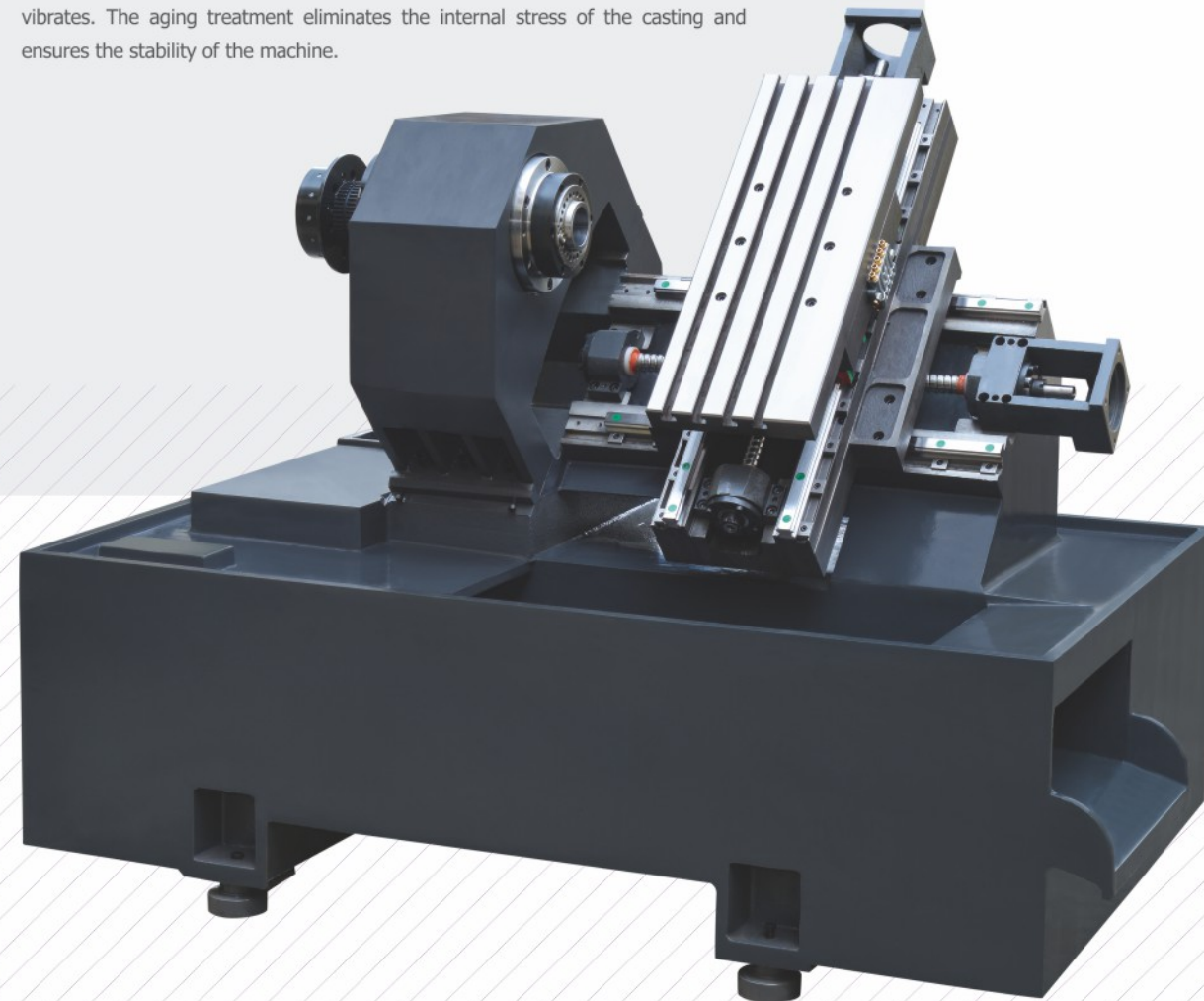


# CK6146

## 45° 整體斜床身排刀車床光機 45° overall slant bed body cutter lathe light machine

鑄件均採用公司優質的樹脂砂造型的特高強度鑄鐵，剛性好，穩定性強。底座床身一體式鑄造加寬加長底座，45°斜床身結構，具有較高的穩定性和吸震性能，採用對稱性設計，導軌加大跨距，合理的導軌長度比例，優質鑄件材質經振動時效處理消除鑄件內應力，保證機器穩定性。

The castings are made of high-quality cast iron with high quality resin sand, which has good rigidity and strong stability. The base bed is integrally cast and widened and extended. The 45° inclined bed structure has high stability and shock absorption performance. It adopts symmetrical design, the guide rail increases the span, the reasonable guide rail length ratio, and the high quality casting material vibrates. The aging treatment eliminates the internal stress of the casting and ensures the stability of the machine.



### 可選配件 OPTIONAL ACCESSORIES

- > 套筒式主軸單元(普森、健椿、羅亞、金鴻、昊志，軸承均選用NSK、FAG)
- > 絲杆 (HIWIN /PMI/NSK)
- > 導軌 (HIWIN /PMI/NSK/ABBA/INA/THK/REXROTH/凱特)
- > 絲杆軸承 (FAG /NSK/NTN/THT/ HIWIN)
- > Sleeve type spindle unit (Pusen, Jianwei, Luoqing, Jinhong, Qizhi, bearings are NSK, FAG)
- > Screw (HIWIN / PMI / NSK)
- > Guide rail (HIWIN / PMI / NSK / ABBA / INA / THK / REXROTH / Kate)
- > Screw bearing (FAG /NSK/NTN/THT/ HIWIN)

### 技術參數 PARAMETERS

項目 Project	機型 Model	CK6146
<b>主要參數 Main parameters</b>		
床面最大上回轉直徑	Maximum upper diameter of the bed	Φ460
最大加工直徑	Maximum processing diameter	Φ460
刀架上最大加工直徑	Maximum machining diameter on the tool holder	Φ100
最大加工長度	Maximum processing length	230
<b>主軸及卡盤參數 Spindle and chuck parameters</b>		
主軸頭形式 (可選卡盤)	Spindle head form (optional chuck)	A2-5 (6" )
推薦主軸電機功率	Recommended spindle motor power	≥5.5KW
主軸最高轉速	Maximum spindle speed	6000rpm
主軸孔直徑	Spindle hole diameter	Φ56
棒料通徑	Bar material path	Φ45
<b>進給部分參數 Feed parameter</b>		
X/Z軸絲杆規格	X/Z axis screw specifications	3212/3212
X軸極限行程	X-axis limit stroke	480
推薦X軸電機扭矩	Recommended X-axis motor torque	≥7.5N.M
X/Z軸綫軌規格	X/Z axis rail specification	30/30
Z軸極限行程	Z-axis limit stroke	250
推薦Z軸電機扭矩	Recommended Z-axis motor torque	≥10N.M
X、Z軸連接方式	X, Z axis connection	直聯
<b>外形 Dimensions</b>		
床身形式及斜度	Bed form and slope	整體式/45°
外形尺寸 (長×寬×高)	Dimensions (L × W × H)	1800 × 1080 × 1430 mm
<b>重量 Weight</b>		
重量(約重)	Weight (about weight)	1700kg

\* 因改良等原因，規格及外觀有所變更時，不另行通知，敬請諒解。  
Due to improvements and other reasons, specifications and appearance when subject to change without notice, please understand.

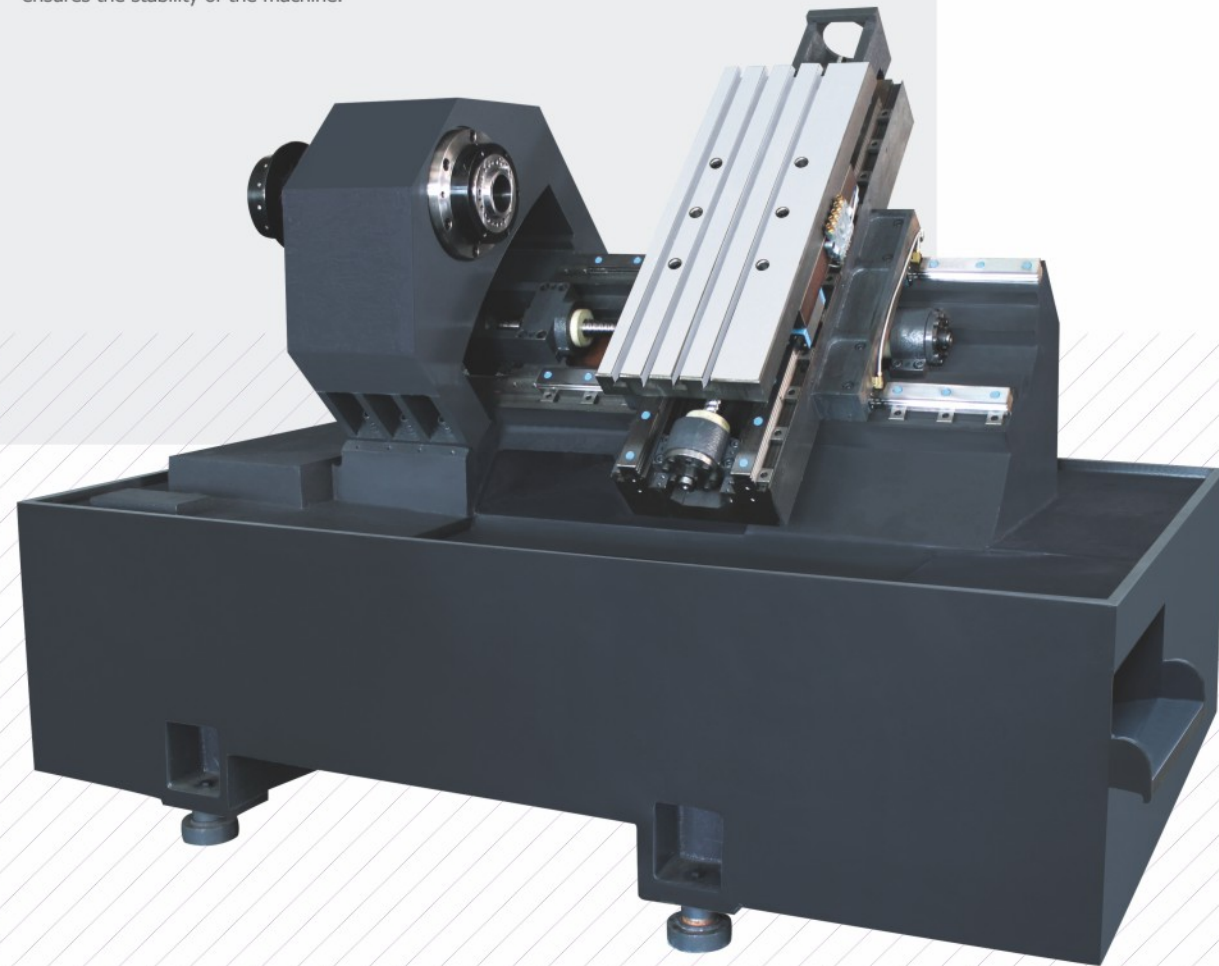


# CK6152

## 45° 整體斜床身排刀車床光機 45° overall slant bed body cutter lathe light machine

鑄件均采用公司優質的樹脂砂造型的特高强度鑄鐵，剛性好，穩定性強。底座床身一體式鑄造加寬加長底座，45°斜床身結構，具有較高的穩定性和吸震性能，采用對稱性設計，導軌加大跨距，合理的導軌長度比例，優質鑄件材質經振動時效處理消除鑄件內應力，保證機器穩定性。

The castings are made of high-quality cast iron with high quality resin sand, which has good rigidity and strong stability. The base bed is integrally cast and widened and extended. The 45° inclined bed structure has high stability and shock absorption performance. It adopts symmetrical design, the guide rail increases the span, the reasonable guide rail length ratio, and the high quality casting material vibrates. The aging treatment eliminates the internal stress of the casting and ensures the stability of the machine.



### 可選配件 OPTIONAL ACCESSORIES

- > 套筒式主軸單元(普森、健椿、羅亞、金鴻、昊志，軸承均選用NSK、FAG)
- > 絲杆 (HIWIN /PMI/NSK)
- > 導軌 (HIWIN /PMI/NSK/ABBA/INA/THK/REXROTH/凱特)
- > 絲杆軸承 (FAG /NSK/NTN/THT/ HIWIN)
- > Sleeve type spindle unit (Pusen, Jianwei, Luoqing, Jinhong, Qizhi, bearings are NSK, FAG)
- > Screw (HIWIN / PMI / NSK)
- > Guide rail (HIWIN / PMI / NSK / ABBA / INA / THK / REXROTH / Kate)
- > Screw bearing (FAG /NSK/NTN/THT/ HIWIN)

### 技術參數 PARAMETERS

項目 Project	機型 Model	CK6152
<b>主要參數 Main parameters</b>		
床面最大上回轉直徑	Maximum upper diameter of the bed	Φ460
最大加工直徑	Maximum processing diameter	Φ460
刀架上最大加工直徑	Maximum machining diameter on the tool holder	Φ100
最大加工長度	Maximum processing length	350
<b>主軸及卡盤參數 Spindle and chuck parameters</b>		
主軸頭形式 (可選卡盤)	Spindle head form (optional chuck)	A2-6 (8" )
推薦主軸電機功率	Recommended spindle motor power	≥7.5-11KW
主軸最高轉速	Maximum spindle speed	4500rpm
主軸孔直徑	Spindle hole diameter	Φ66
棒料通徑	Bar material path	Φ52
<b>進給部分參數 Feed parameter</b>		
X/Z軸絲杆規格	X/Z axis screw specifications	3212/3212
X軸極限行程	X-axis limit stroke	480
推薦X軸電機扭矩	Recommended X-axis motor torque	≥10N.M
X/Z軸綫軌規格	X/Z axis rail specification	35/35
Z軸極限行程	Z-axis limit stroke	400
推薦Z軸電機扭矩	Recommended Z-axis motor torque	≥10N.M
X、Z軸連接方式	X, Z axis connection	直聯
<b>外形 Dimensions</b>		
床身形式及斜度	Bed form and slope	整體式/45°
外形尺寸 (長×寬×高)	Dimensions (L × W × H)	1980 × 1180 × 1430 mm
<b>重量 Weight</b>		
重量(約重)	Weight (about weight)	1850kg

\* 因改良等原因，規格及外觀有所變更時，不另行通知，敬請諒解。  
Due to improvements and other reasons, specifications and appearance when subject to change without notice, please understand.



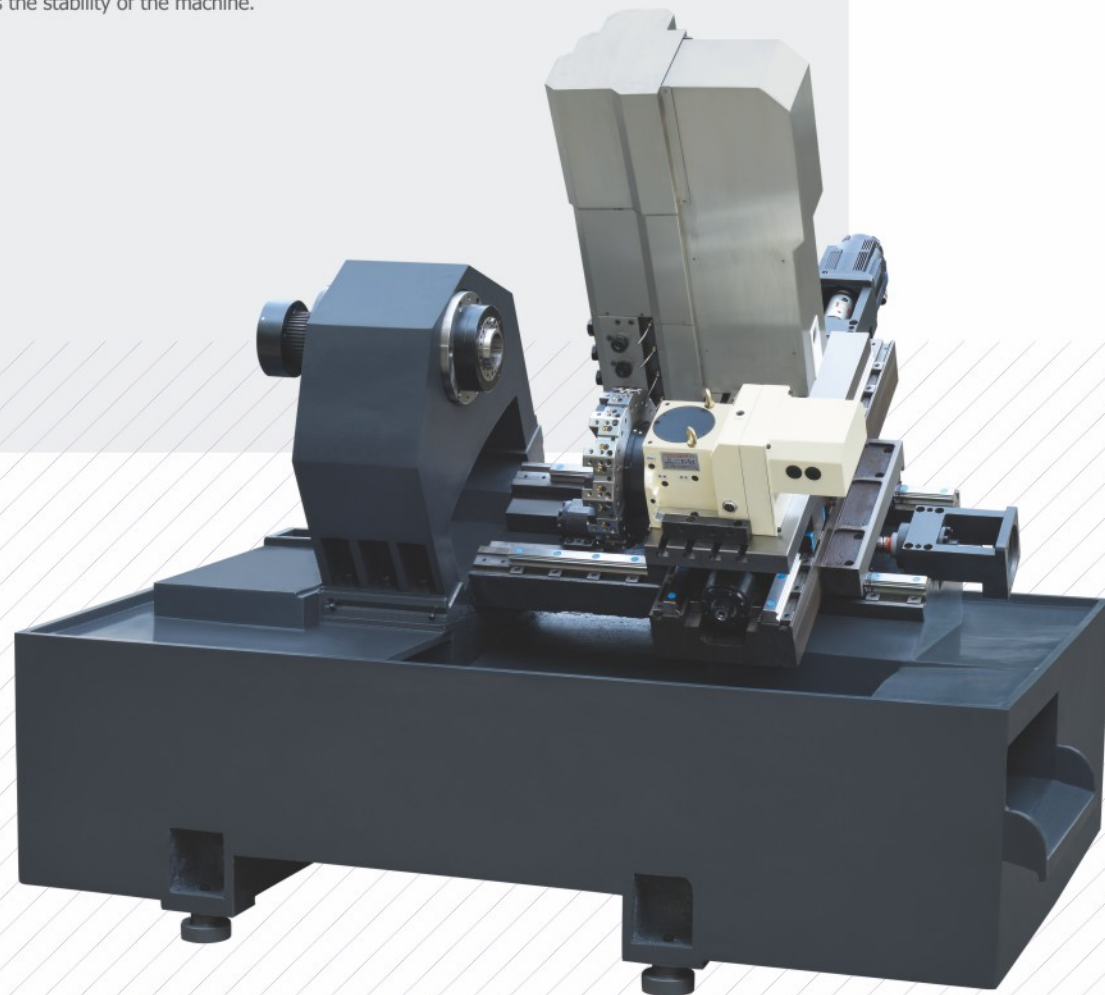
# CK6146Y

## 30° 整體斜床身車銑復合光機

### 30° overall inclined bed body milling and milling machine

鑄件均采用公司優質的樹脂砂造型的特高强度鑄鐵，剛性好，穩定性強。底座床身一體式鑄造加寬加長底座，30°C斜床身結構，具有較高的穩定性和吸震性能，采用對稱性設計，導軌加大跨距，合理的導軌長度比例，優質鑄件材質經振動時效處理消除鑄件內應力，保證機器穩定性。

The castings are made of high-quality cast iron with high quality resin sand, which has good rigidity and strong stability. The base bed is integrally cast and widened and extended. The 30°C inclined bed structure has high stability and shock absorption performance. It adopts symmetrical design, the guide rail increases the span, the reasonable guide rail length ratio, and the high quality casting material vibrates. The aging treatment eliminates the internal stress of the casting and ensures the stability of the machine.



#### 可選配件 OPTIONAL ACCESSORIES

- > 套筒式主軸單元(普森、健椿、羅亞、金鴻、昊志，軸承均選用NSK、FAG)
- > 絲杆 (HIWIN /PMI/NSK)
- > 導軌 (HIWIN /PMI/NSK/ABBA/INA/THK/REXROTH/凱特)
- > 絲杆軸承 (FAG /NSK/NTN/THT/ HIWIN)
- > Sleeve type spindle unit (Pusen, Jianwei, Luoqing, Jinhong, Qizhi, bearings are NSK, FAG)
- > Screw (HIWIN / PMI / NSK)
- > Guide rail (HIWIN / PMI / NSK / ABBA / INA / THK / REXROTH / Kate)
- > Screw bearing (FAG /NSK/NTN/THT/ HIWIN)

#### 技術參數 PARAMETERS

項目 Project	機型 Model	CK6146Y
<b>主要參數 Main parameters</b>		
床面最大上回轉直徑	Maximum upper diameter of the bed	Φ600
最大加工直徑	Maximum processing diameter	Φ460
刀架上最大加工直徑	Maximum machining diameter on the tool holder	Φ260
最大加工長度	Maximum processing length	280
<b>主軸及卡盤參數 Spindle and chuck parameters</b>		
主軸頭形式 (可選卡盤)	Spindle head form (optional chuck)	A2-5 (6" )
推薦主軸電機功率	Recommended spindle motor power	≥7.5-11KW
主軸最高轉速	Maximum spindle speed	6000rpm
主軸孔直徑	Spindle hole diameter	Φ56
棒料通徑	Bar material path	Φ45
<b>進給部分參數 Feed parameter</b>		
X/Z軸絲杆規格	X/Z axis screw specifications	3212/3212
X軸極限行程	X-axis limit stroke	480
推薦X軸電機扭矩	Recommended X-axis motor torque	≥10N.M
X/Z軸綫軌規格	X/Z axis rail specification	35/35
Z軸極限行程	Z-axis limit stroke	280
推薦Z軸電機扭矩	Recommended Z-axis motor torque	≥10N.M
X、Z軸連接方式	X, Z axis connection	直聯
<b>外形 Dimensions</b>		
床身形式及斜度	Bed form and slope	整體式/30°
外形尺寸 (長×寬×高)	Dimensions (L × W × H)	1980 × 1180 × 1380 mm
<b>重量 Weight</b>		
重量(約重)	Weight (about weight)	1750kg

\* 因改良等原因，規格及外觀有所變更時，不另行通知，敬請諒解。  
Due to improvements and other reasons, specifications and appearance when subject to change without notice, please understand.



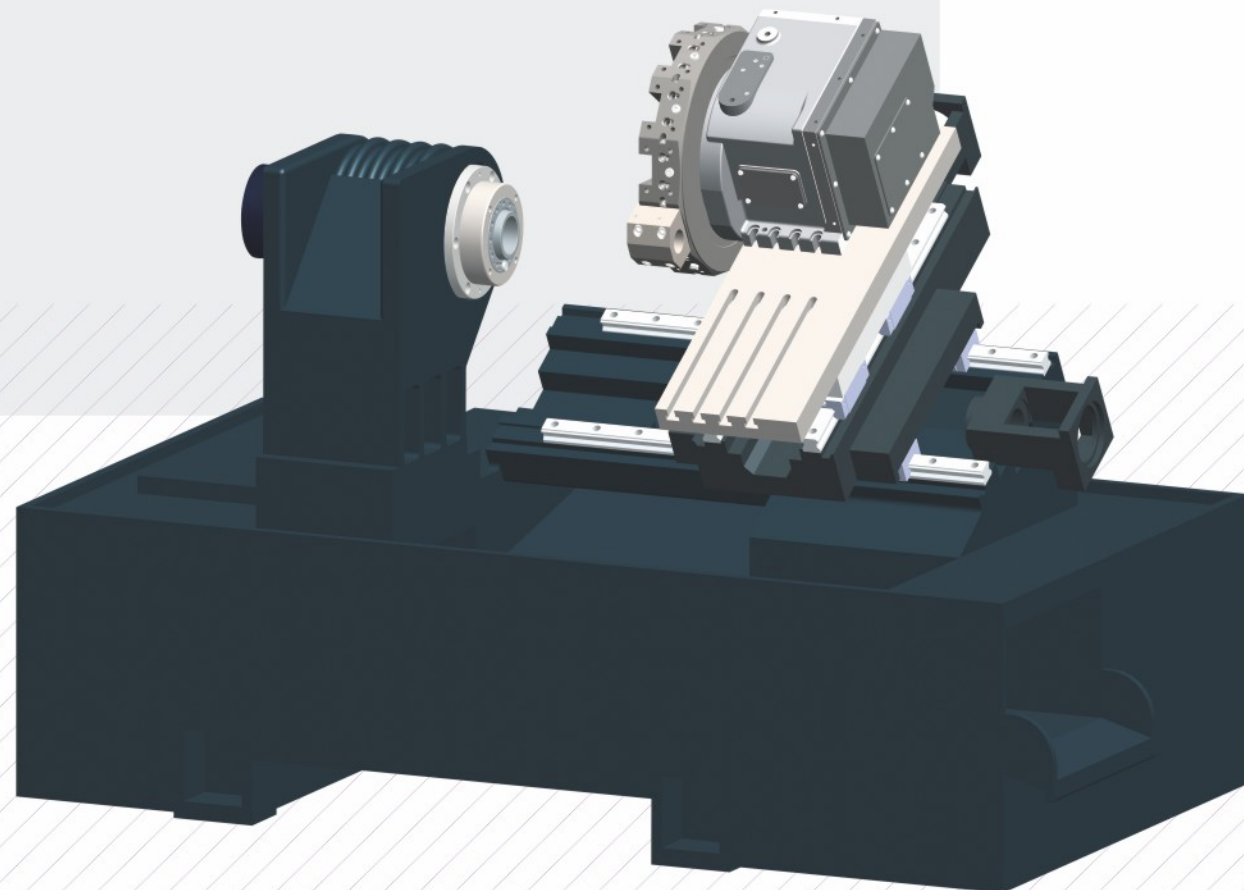
# CK6146B

## 30° 整體斜床身刀塔排刀車床光機

## 30° overall slant bed turret row lathe tempering machine

鑄件均采用公司優質的樹脂砂造型的特高强度鑄鐵，剛性好，穩定性強。底座床身一體式鑄造加寬加長底座，30°C斜床身結構，具有較高的穩定性和吸震性能，采用對稱性設計，導軌加大跨距，合理的導軌長度比例，優質鑄件材質經振動時效處理消除鑄件內應力，保證機器穩定性。

The castings are made of high-quality cast iron with high quality resin sand, which has good rigidity and strong stability. The base bed is integrally cast and widened and extended. The 30°C inclined bed structure has high stability and shock absorption performance. It adopts symmetrical design, the guide rail increases the span, the reasonable guide rail length ratio, and the high quality casting material vibrates. The aging treatment eliminates the internal stress of the casting and ensures the stability of the machine.



### 可選配件 OPTIONAL ACCESSORIES

- > 套筒式主軸單元(普森、健椿、羅翌、金鴻、昊志，軸承均選用NSK、FAG)
- > 絲杆 (HIWIN /PMI/NSK)
- > 導軌 (HIWIN /PMI/NSK/ABBA/INA/THK/REXROTH/凱特)
- > 絲杆軸承 (FAG /NSK/NTN/THT/ HIWIN)
- > Sleeve type spindle unit (Pusen, Jianwei, Luoqing, Jinhong, Qizhi, bearings are NSK, FAG)
- > Screw (HIWIN / PMI / NSK)
- > Guide rail (HIWIN / PMI / NSK / ABBA / INA / THK / REXROTH / Kate)
- > Screw bearing (FAG /NSK/NTN/THT/ HIWIN)

### 技術參數 PARAMETERS

項目 Project	機型 Model	CK6146B
<b>主要參數 Main parameters</b>		
床面最大上回轉直徑	Maximum upper diameter of the bed	Φ600
最大加工直徑	Maximum processing diameter	Φ460
刀架上最大加工直徑	Maximum machining diameter on the tool holder	Φ200
最大加工長度	Maximum processing length	260
<b>主軸及卡盤參數 Spindle and chuck parameters</b>		
主軸頭形式 (可選卡盤)	Spindle head form (optional chuck)	A2-5 (6" )
推薦主軸電機功率	Recommended spindle motor power	≥7.5-11KW
主軸最高轉速	Maximum spindle speed	6000rpm
主軸孔直徑	Spindle hole diameter	Φ56
棒料通徑	Bar material path	Φ45
<b>刀塔 Knife tower</b>		
刀塔	Knife tower	63或80或100
排刀中心高	Row center height	100mm
<b>進給部分參數 Feed parameter</b>		
X/Z軸絲杆規格	X/Z axis screw specifications	3212/3212
X軸極限行程	X-axis limit stroke	280
推薦X軸電機扭矩	Recommended X-axis motor torque	≥10N.M
X/Z軸綫軌規格	X/Z axis rail specification	35/35
Z軸極限行程	Z-axis limit stroke	300
推薦Z軸電機扭矩	Recommended Z-axis motor torque	≥10N.M
X、Z軸連接方式	X, Z axis connection	直聯
<b>外形 Dimensions</b>		
床身形式及斜度	Bed form and slope	整體式/30°
外形尺寸 (長×寬×高)	Dimensions (L × W × H)	1980 × 1000 × 1350 mm
<b>重量 Weight</b>		
重量(約重)	Weight (about weight)	1650kg

\* 因改良等原因，規格及外觀有所變更時，不另行通知，敬請諒解。  
Due to improvements and other reasons, specifications and appearance when subject to change without notice, please understand.

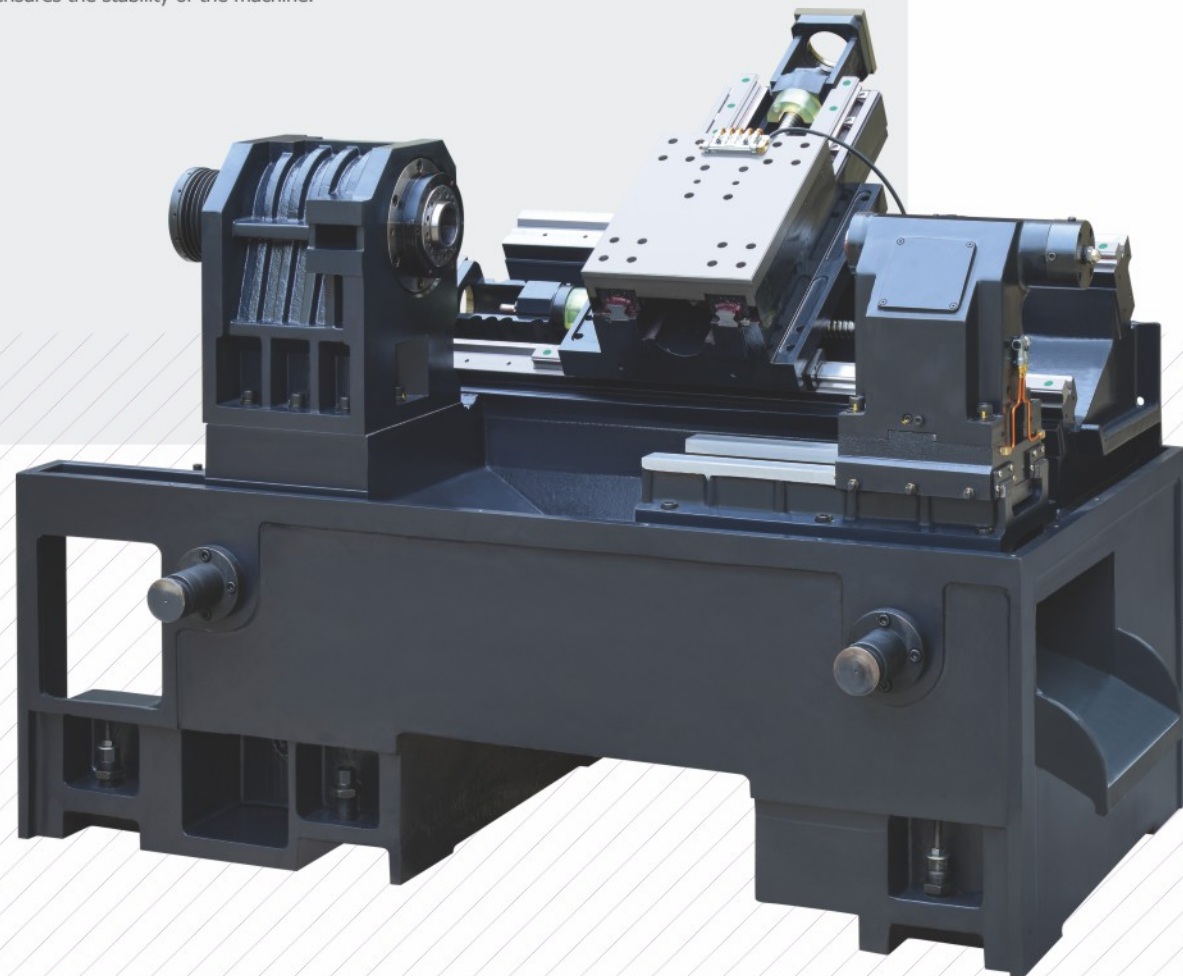


# CK6146A

## 30° 整體斜床身刀塔尾座車床光機 30° overall slant bed turret tail lathe optomechanical machine

鑄件均採用公司優質的樹脂砂造型的特高強度鑄鐵，剛性好，穩定性強。底座床身一體式鑄造加寬加長底座，30°C斜床身結構，具有較高的穩定性和吸震性能，採用對稱性設計，導軌加大跨距，合理的導軌長度比例，優質鑄件材質經振動時效處理消除鑄件內應力，保證機器穩定性。

The castings are made of high-quality cast iron with high quality resin sand, which has good rigidity and strong stability. The base bed is integrally cast and widened and extended. The 30°C inclined bed structure has high stability and shock absorption performance. It adopts symmetrical design, the guide rail increases the span, the reasonable guide rail length ratio, and the high quality casting material vibrates. The aging treatment eliminates the internal stress of the casting and ensures the stability of the machine.



### 可選配件 OPTIONAL ACCESSORIES

- > 套筒式主軸單元(普森、健椿、羅翌、金鴻、昊志，軸承均選用NSK、FAG)
- > 絲杆 (HIWIN /PMI/NSK)
- > 導軌 (HIWIN /PMI/NSK/ABBA/INA/THK/REXROTH/凱特)
- > 絲杆軸承 (FAG /NSK/NTN/THT/ HIWIN)
- > Sleeve type spindle unit (Pusen, Jianwei, Luoqing, Jinhong, Qizhi, bearings are NSK, FAG)
- > Screw (HIWIN / PMI / NSK)
- > Guide rail (HIWIN / PMI / NSK / ABBA / INA / THK / REXROTH / Kate)
- > Screw bearing (FAG /NSK/NTN/THT/ HIWIN)

### 技術參數 PARAMETERS

項目 Project	機型 Model	CK6146A
<b>主要參數 Main parameters</b>		
床面最大上回轉直徑	Maximum upper diameter of the bed	Φ460
最大加工直徑	Maximum processing diameter	Φ400
刀架上最大加工直徑	Maximum machining diameter on the tool holder	Φ170
最大加工長度	Maximum processing length	350
兩頂尖距離	Two tip distance	370
<b>主軸及卡盤參數 Spindle and chuck parameters</b>		
主軸頭形式 (可選卡盤)	Spindle head form (optional chuck)	A2-5 (6" )
推薦主軸電機功率	Recommended spindle motor power	≥5.5-7.5KW
主軸最高轉速	Maximum spindle speed	4000/5000rpm
主軸孔直徑	Spindle hole diameter	Φ56
棒料通徑	Bar material path	Φ42
<b>刀塔 Knife tower</b>		
刀塔	Knife tower	CLT-80-8T/12T
排刀中心高	Row center height	80mm
<b>進給部分參數 Feed parameter</b>		
X/Z軸絲杆規格	X/Z axis screw specifications	3210/3210
X軸極限行程	X-axis limit stroke	210
推薦X軸電機扭矩	Recommended X-axis motor torque	≥9N.M
X/Z軸綫軌規格	X/Z axis rail specification	35/35
Z軸極限行程	Z-axis limit stroke	400
推薦Z軸電機扭矩	Recommended Z-axis motor torque	≥9N.M
X、Z軸連接方式	X, Z axis connection	直聯
<b>尾座部分 Tailstock part</b>		
套筒直徑	Sleeve diameter	65
套筒行程	Sleeve stroke	80
尾座最大行程	Tailstock maximum stroke	300
尾座套筒錐孔	Tailstock sleeve taper	莫氏4#
<b>外形 Dimensions</b>		
床身形式及斜度	Bed form and slope	整體式/30°
外形尺寸 (長×寬×高)	Dimensions (L × W × H)	1730 × 1273 × 1328 mm
<b>重量 Weight</b>		
重量(約重)	Weight (about weight)	1650kg

\* 因改良等原因，規格及外觀有所變更時，不另行通知，敬請諒解。  
Due to improvements and other reasons, specifications and appearance when subject to change without notice, please understand.

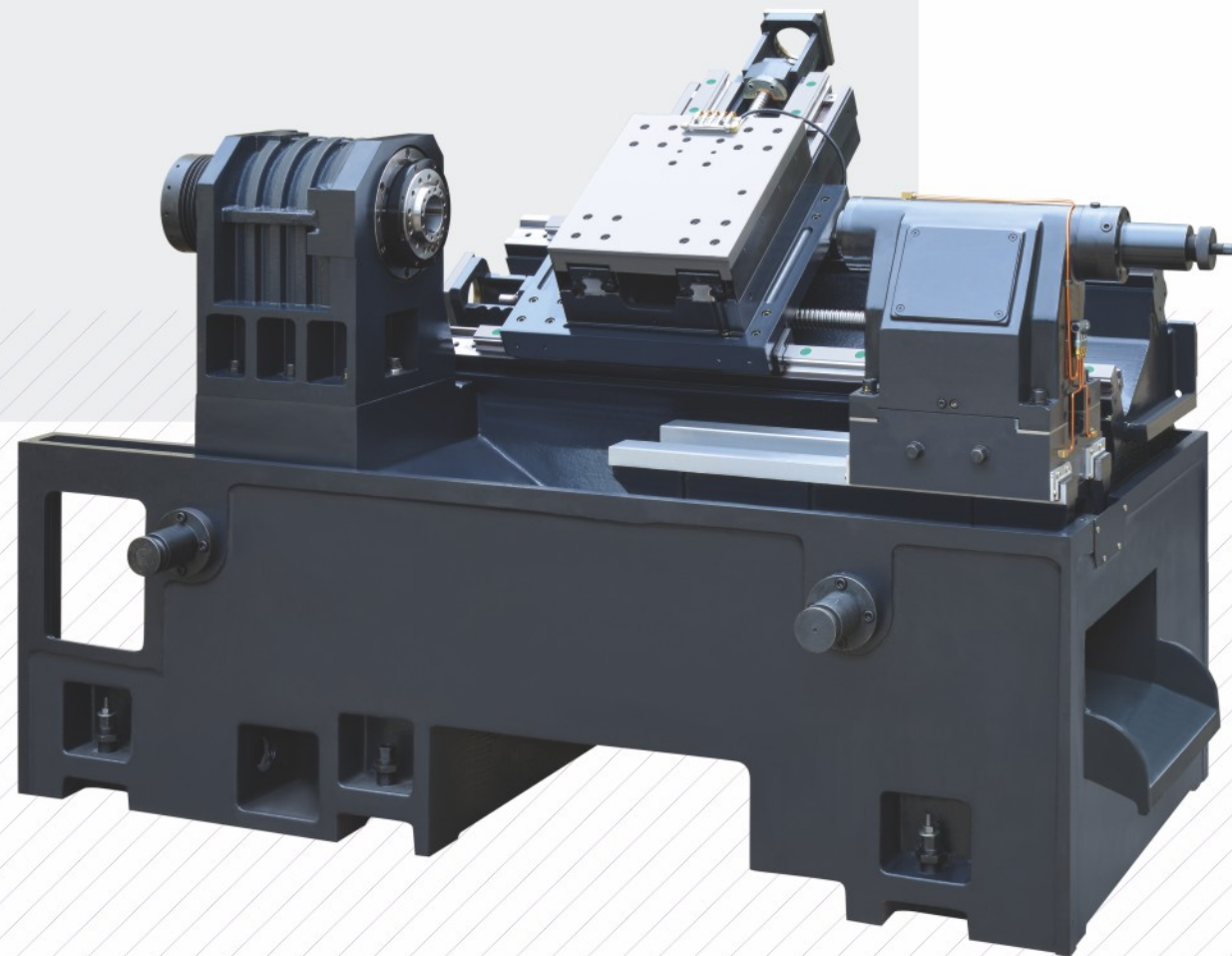


# CK6152A

## 30° 整體斜床身刀塔尾座車床光機 30° overall slant bed turret tail lathe optomechanical machine

鑄件均采用公司優質的樹脂砂造型的特高强度鑄鐵，剛性好，穩定性強。底座床身一體式鑄造加寬加長底座，30°C斜床身結構，具有較高的穩定性和吸震性能，采用對稱性設計，導軌加大跨距，合理的導軌長度比例，優質鑄件材質經振動時效處理消除鑄件內應力，保證機器穩定性。

The castings are made of high-quality cast iron with high quality resin sand, which has good rigidity and strong stability. The base bed is integrally cast and widened and extended. The 30°C inclined bed structure has high stability and shock absorption performance. It adopts symmetrical design, the guide rail increases the span, the reasonable guide rail length ratio, and the high quality casting material vibrates. The aging treatment eliminates the internal stress of the casting and ensures the stability of the machine.



### 可選配件 OPTIONAL ACCESSORIES

- > 套筒式主軸單元(普森、健椿、羅翌、金鴻、昊志，軸承均選用NSK、FAG)
- > 絲杆 (HIWIN /PMI/NSK)
- > 導軌 (HIWIN /PMI/NSK/ABBA/INA/THK/REXROTH/凱特)
- > 絲杆軸承 (FAG /NSK/NTN/THT/ HIWIN)
- > Sleeve type spindle unit (Pusen, Jianwei, Luoqing, Jinhong, Qizhi, bearings are NSK, FAG)
- > Screw (HIWIN / PMI / NSK)
- > Guide rail (HIWIN / PMI / NSK / ABBA / INA / THK / REXROTH / Kate)
- > Screw bearing (FAG /NSK/NTN/THT/ HIWIN)

### 技術參數 PARAMETERS

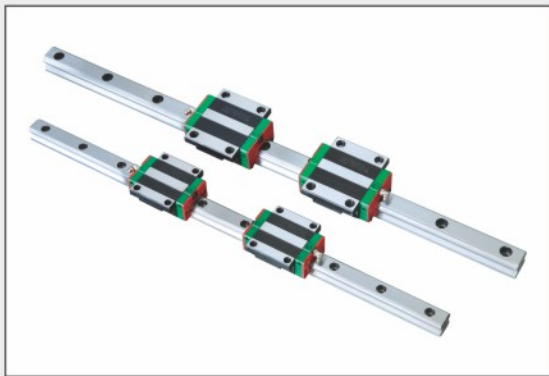
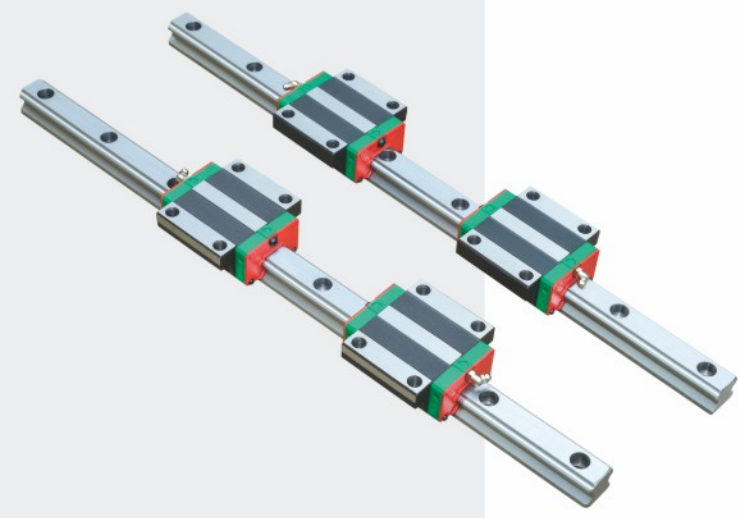
項目 Project	機型 Model	CK6152A
<b>主要參數 Main parameters</b>		
床面最大上回轉直徑	Maximum upper diameter of the bed	Φ560
最大加工直徑	Maximum processing diameter	Φ450
刀架上最大加工直徑	Maximum machining diameter on the tool holder	Φ210
最大加工長度	Maximum processing length	500 ( 8" )
<b>主軸及卡盤參數 Spindle and chuck parameters</b>		
主軸頭形式 ( 可選卡盤 )	Spindle head form (optional chuck)	A2-5 ( 8" )
推薦主軸電機功率	Recommended spindle motor power	≥11-15KW
主軸最高轉速	Maximum spindle speed	4200rpm
主軸孔直徑	Spindle hole diameter	Φ66
棒料通徑	Bar material path	Φ52
<b>刀塔 Knife tower</b>		
刀塔	Knife tower	CLT-100-12T
排刀中心高	Row center height	100mm
<b>進給部分參數 Feed parameter</b>		
X/Z軸絲杆規格	X/Z axis screw specifications	3210/4010
X軸極限行程	X-axis limit stroke	250
推薦X軸電機扭矩	Recommended X-axis motor torque	≥11N.M
X/Z軸綫軌規格	X/Z axis rail specification	45/45
Z軸極限行程	Z-axis limit stroke	610
推薦Z軸電機扭矩	Recommended Z-axis motor torque	≥11N.M
X、Z軸連接方式	X, Z axis connection	直聯
<b>尾座部分 Tailstock part</b>		
套筒直徑	Sleeve diameter	80
套筒行程	Sleeve stroke	80
尾座最大行程	Tailstock maximum stroke	450
尾座套筒錐孔	Tailstock sleeve taper	莫氏4#
<b>外形 Dimensions</b>		
床身形式及斜度	Bed form and slope	整體式/30°
外形尺寸 ( 長×寬×高 )	Dimensions ( L × W × H )	2236 × 1386 × 1435 mm
<b>重量 Weight</b>		
重量(約重)	Weight (about weight)	2500kg

\* 因改良等原因，規格及外觀有所變更時，不另行通知，敬請諒解。  
Due to improvements and other reasons, specifications and appearance when subject to change without notice, please understand.



配件系列

ACCESSORIES SERIES



銷售網絡

SALES NETWORK

龐大而運轉靈活的銷售網絡，是企業的核心競爭力，對企業起着至關重要的作用。

The large and flexible operation of the marketing network is the core competitiveness of enterprises and plays an important role.

